

PLASMA CUTTING

PLASMA CB 150



CE EN60974-7

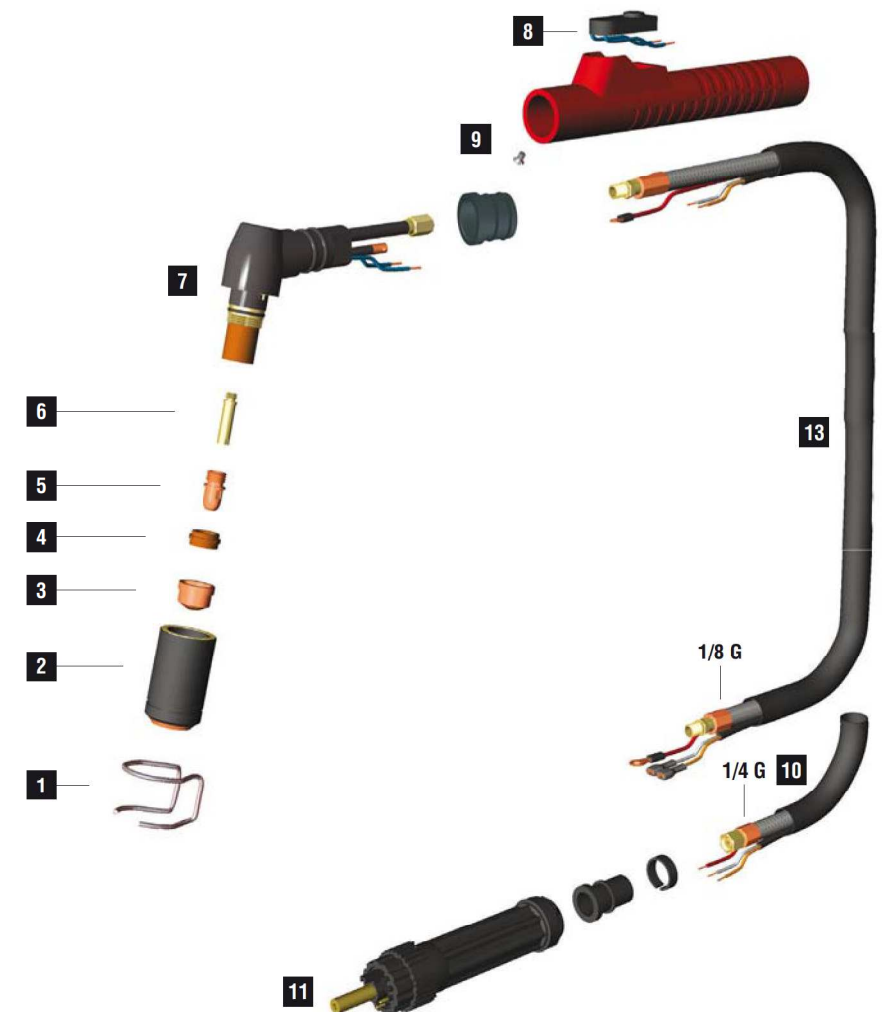
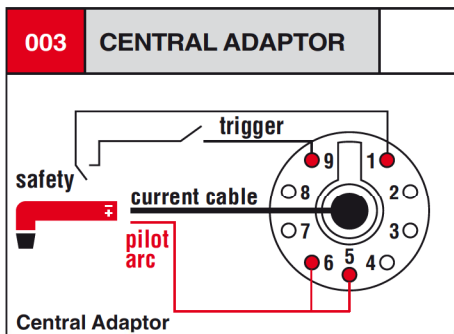
CODE	↔	
------	---	--

PA1245	6 m	19.7'	1/8 GAS
--------	-----	-------	---------

PA1247	6 m	19.7'	CENTRAL
--------	-----	-------	---------

TECHNICAL DATA		
----------------	--	--

HF		
1m	0,8 kg	1.76 lb
V PEAK	500	
5 bar		
200 l/min		
X 60%	150A	
X 100%	110A	
35-40 mm		



	CODE		Description	Ø	↔	CONTACT				DRAG		GOUGING	REF			
1	CV0008		plasma stand off guide		32,5 mm								51957	10		
1	CV0009		plasma stand off guide		38,6 mm									10		
1	CV0011		plasma stand off guide		23 mm		●						1386	10		
1	CV0012		plasma stand off guide		30 mm			●					1408	2		
1	CV0013		plasma stand off guide		33 mm							●	1406	2		
1	CV0021		plasma stand off guide	32,8 mm	40,6 mm				●					1		
1	CV0038		plasma stand off guide		17 mm					●			51930	10		
2	PC0002		long life		52,1 mm		●	●				●	1389	2		
2	PC0034		long life		51,3 mm				●	●	●		60350	2		
3	PD0025-14		100 A	1,4 mm	.052"	34,9 mm						●		10		
3	PD0025-16		130 A	1,6 mm	1/16"	34,9 mm							●		10	
3	PD0025-18		150 A	1,8 mm	5/64"	34,9 mm							●		10	
3	PD0026-11		60 A	1,1 mm	.043"	14,1 mm		●	●	●				1371	10	
3	PD0026-13		100 A	1,3 mm	.051"	14,1 mm		●	●	●					1372	10
3	PD0026-16		130 A	1,6 mm	1/16"	14,1 mm		●	●	●					1373	10
3	PD0026-18		150 A	1,8 mm	5/64"	14,1 mm		●	●	●					1374	10
3	PD0026-24		plasma tip	2,4 mm	3/32"	14,1 mm							●		10	
3	PD0026-30		plasma tip	3,0 mm	1/8"	14,1 mm							●		1375	10
3	PD0028-13		100 A	1,3 mm	.051"	14 mm						●		10		
3	PD0028-16		130 A	1,6 mm	1/16"	14 mm						●		10		
3	PD0028-18		150 A	1,8 mm	5/64"	14 mm						●		10		
3	PD0030-11		60 A	1,1 mm	.043"	35,7 mm						●		1369	10	
4	PE0009		plasma diffuser				●	●	●	●	●	●	1377	2		
5	PR0034		plasma electrode		22 mm		●	●				●	1376	10		
5	PR0045		plasma electrode		43 mm						●		1517	10		
5	PR0245		plasma electrode		43 mm							●		10		
6	FH0212											●		10		
6	FH0213						●	●	●	●		●		10		

	CODE		Description	
7	EA0131		O-ring	10
7	PF0036		plasma torch head Ø24	1
8	BX0070		trigger for TP0088	10
9	BW0342		Ø 24 - Ø 28	1
9	TP0083		handle	1
10	PH0107		power cable 6 m - 1/4 G	1
10	PH0171		6 m - 1/4 G	1

	CODE		Description	
10	QB0164		cover (m)	100
11	CY0035		cable support	1
11	CY0036		ring	10
11	FY0023		central adaptor	1
13	PH0162		power cable 6 m - 1/8 G	1
13	PH0174		6 m - 1/8 G	1

STANDARD

CONTACT SHORT

CONTACT LONG

DRAG SHORT

DRAG LONG